



DFT® Valves

# Check Valve Application Guide



6D-0885



SAI GLOBAL  
ISO 9001  
Quality

## DFT® INC.

DFT® specializes in spring assisted axial flow check valves that prevent water hammer and reverse flow and ensure long life if properly sized for the flow, not the line size. DFT® customizes the internal components for optimal performance without changing the line size.

DFT® in-line check valves do not rely on gravity or reverse fluid flow to close. Instead, as the forward velocity of the fluid slows, the spring assist starts to close the disc.

Due to the spring assist and short travel distance of the disc, by the time forward velocity has decreased to zero, the valve disc has reached the seat and the valve is closed.

With reverse flow eliminated, the forces necessary to produce water hammer on both the upstream and downstream sides of the valve are substantially eliminated.

DFT®'s objective is to solve and prevent check valve problems and failures in critical service applications. All valves are manufactured at our facility in Exton, PA, USA and are subject to our ISO 9001 Quality Management Process.

DFT® is known as the "Check Valve Doctor™", as we help to diagnose and cure check valve problems.

Our check valve sizing program ensures you will know in advance what to expect from the check valve as opposed to after start up.

## Application Guide

This guide provides a water hammer solution and various applications where DFT® in-line check valves are used.

DFT® in-line check valves are used in all industries. They include chemical, mining, oil & gas, power, pulp & paper, refining and steel food, beverage, pharmaceutical, building maintenance.

The water hammer solution describes how a consultant solved a client's water hammer problem by using DFT® axial flow check valves.

DFT® is available to review your check valve sizing requirements and assist in selecting the proper check valve.

Contact DFT® at: [www.dft-valves.com](http://www.dft-valves.com) or call 800-206-4013.

# TABLE OF CONTENTS

APPLICATIONS	4
WATER HAMMER SOLUTION	6
WATER HAMMER SOLUTION (continued)	7
WATER HAMMER SOLUTION (continued)	8
AUTOCLAVE APPLICATIONS	9
BOILER FEED SYSTEM	10
BOILER FEED SYSTEM (continued)	11
CHEMICAL APPLICATIONS	12
MINING APPLICATIONS	13
MINING - MINE DEWATERING SYSTEM	14
OIL & GAS APPLICATIONS	16
NATURAL GAS RECIPROCATING COMPRESSORS	17
PETROLEUM STORAGE TANKS	18
PULP & PAPER APPLICATIONS	19
PETROCHEMICAL - VACUUM SERVICE	24
SINGLE CELL COOLING TOWER	26
SINGLE CELL COOLING TOWER (continued)	27
STEAM DEAERATOR SYSTEM	28
STEAM DEAERATOR SYSTEM (continued)	29
STEEL APPLICATIONS	30

## APPLICATIONS



### Building Maintenance

Compressor Discharge

Pump Discharge

Water Lines

Condensate Lines

Steam Lines



### Chemical Processing

Boiler Feed & Discharge

Evaporators

Pump Discharge

Compressor Discharge

Metering Pumps

Steam Lines

Condensate Lines

Mineral Dewatering

Vacuum Lines & Breakers

Cooling Towers

Nitrogen Purge

Water Treatment

Cryogenics

Process Lines



### Power Generation

Boiler Feed & Discharge

Evaporators

Steam Lines

Compressor Discharge

Fly Ash System

Vacuum System

Cooling Towers

Pump Discharge

Water Lines



### Primary Metals

Chemical Lines

Extrusion Equipment

Pump Discharge

Compressor Discharge

Hydraulic Lines

Steam Lines

Condensate Lines

Presses - Water Inlet  
& Outlet

Water Lines

Evaporators

Water Treatment



### Petroleum Production & Refining

Boiler Feed & Discharge

Crude & Refined Product  
Lines

Pump Discharge

Compressor Discharge

Steam Lines

Condensate Lines

Evaporators

Vacuum Lines & Breakers

Cooling Towers

Generator Inlet &  
Discharge

Water Treatment

## Food, Beverage, & Pharmaceutical



Autoclaves

Boiler Feed & Discharge

Chemical Lines

Compressor Discharge

Condensate Lines

Cookers

Evaporators

Metering Pumps

Pump Discharge

Refrigeration (Hot Gas Defrost)

Steam Lines

Vacuum Lines & Breakers

## Pulp & Paper



Boiler Feed & Discharge

Chemical Lines

Condensate Lines

Generator Inlet & Discharge

Metering Pumps

Pump Discharge

Steam Lines  
(Digester & Paper Machines)

Water Treatment

## Textiles



Boiler Feed & Discharge

Chemical Dye Lines

Compressor Discharge

Condensate Lines

Metering Pumps

Pump Discharge

Steam Lines

## Natural Gas



Compressor discharge

Compressor Stations

Heat & Power Systems

Pump Discharge

Process heating

## Mining



Boiler Feed & Discharge

Mine Dewatering

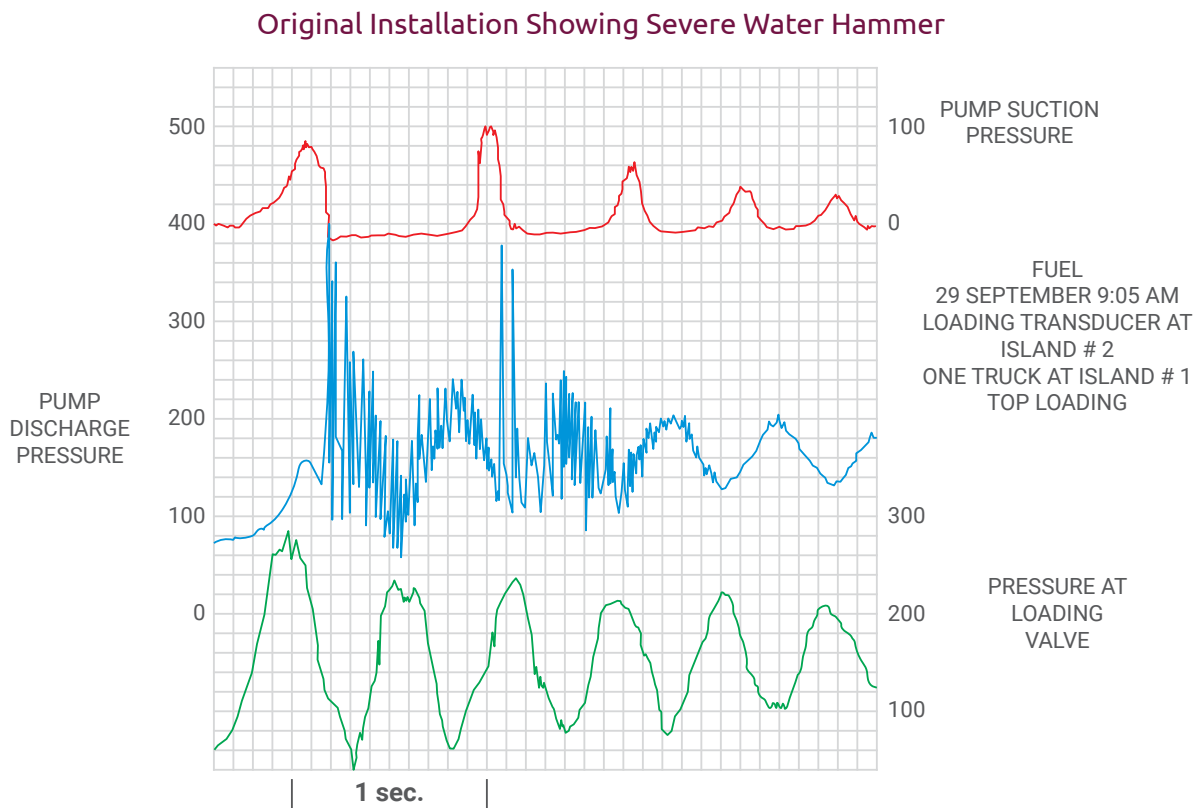
## WATER HAMMER SOLUTION

A consulting engineer submitted to DFT® some very convincing data on the effectiveness of DFT® non-slam check valves in combating water hammer.

An oil company was experiencing some very severe problems at one of their fuel truck loading stations. Severe vibrations and noise were occurring in their lines from the pump to the loading stations. The company was concerned about possible damage to the pump and associated equipment. In an attempt to correct the situation, they hired a consultant to examine the system and determine the exact cause of the problems.

The installation consisted of a pump, a discharge swing check valve, approximately 700 feet of piping leading to the loading platforms, and a shut-off valve at each platform.

To determine exactly what was happening, the consultant attached sensitive pressure transducers and a strip recorder to the pump suction, the outlet of the check valve and the inlet of the shut-off valve. What he documented was the "classic" water hammer situation shown below.



## WATER HAMMER SOLUTION (continued)

When the truck loading valve was closed, a standing wave developed, causing the pressure at the pump discharge to rise from about 150 psi to **over 600 psi in about 1/100th of a second**. This pressure spike obviously caused severe stress in the system piping, the pump, and other system components. With an effectively closed system, the pressure spike caused smaller continued pressure instability for approximately two seconds more.

Experience indicated to the consultant that this water hammer occurred due to the use of a swing check valve on the discharge of the pump. A swing check closes fairly slowly and allows back flow to occur. When the valve finally closes, the back flow abruptly stops, causing extremely rapid pressure build-up (water hammer).

### THE SOLUTION

The solution was also very easy for the consultant to recognize and recommend; a DFT® Excalibur® Non-slam Check Valve. Based on the proven successes in the past, the consultant knew that the dual guided, in-line, spring assisted design of the DFT® Excalibur would prevent back flow from occurring. With no back flow, the cause of the water hammer would disappear.

The very economical recommendation of an 8" Class 150 DFT® Excalibur was accepted by the oil company. The valve was installed and all of the vibration, noise, and system damage was eliminated.



Some time later the consultant was in the area and decided to document the change in the system.

## WATER HAMMER SOLUTION (continued)

Shown (below) is a strip chart of the same installation with the readings taken after the installation of the DFT® Excalibur Non-slam Check Valve. This shows that the Excalibur not only eliminated the pressure spikes at the pump discharge, but it also greatly reduced the pressure changes at the pump suction and at the discharge valve.

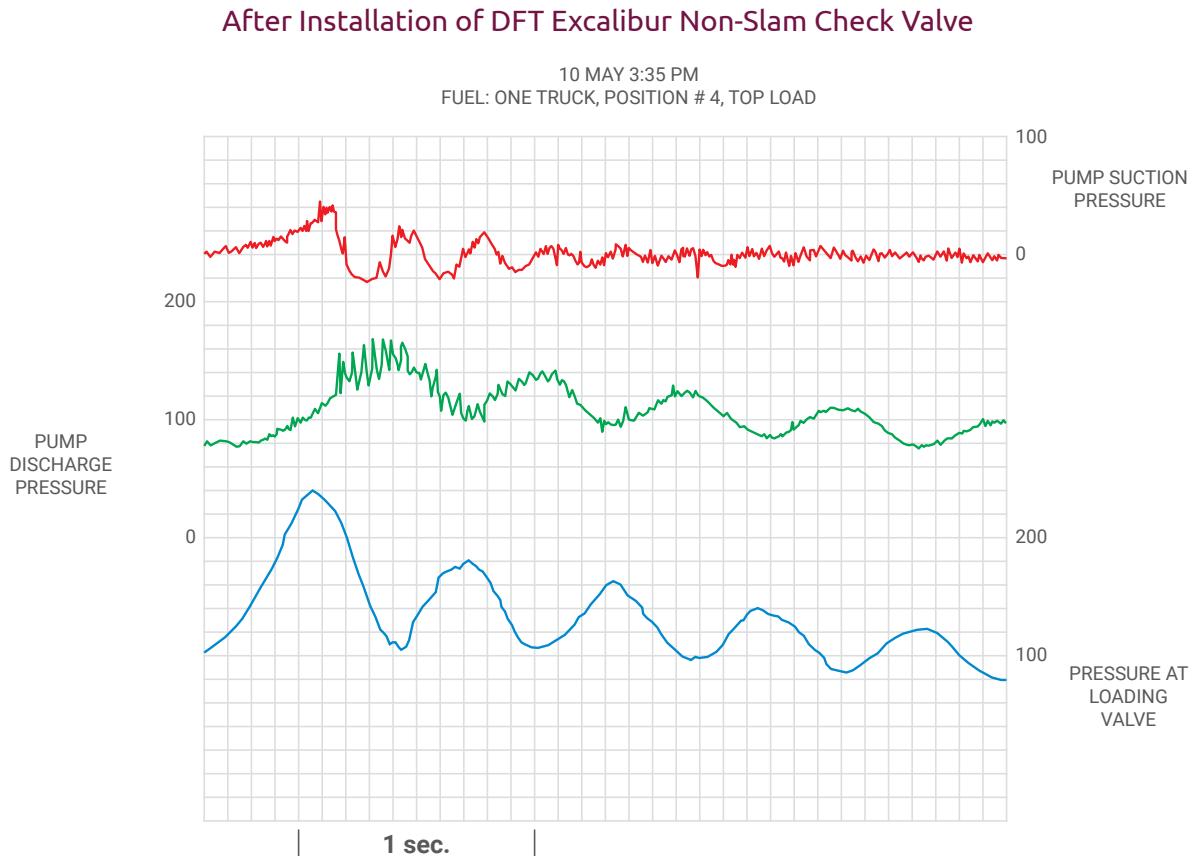


Figure 2

Needless to say, both the consultant and DFT® gained a very satisfied customer.



## AUTOCLAVE APPLICATIONS

### TYPICAL CHECK VALVE APPLICATIONS

1. Process Water Lines to the Autoclave.
2. High Pressure Steam to the Autoclave.
3. Oxygen Lines to the Autoclave.
4. Upstream of the Oxygen Flow Transmitter and Flow Control Valve.

### DFT® SOLUTIONS

#### Process Water Lines:

DFT® Model **WLC**® In-Line Wafer Check Valves.

#### High Pressure Steam Lines:

DFT® Model **WLC** In-Line Wafer Check.

#### Oxygen Lines:

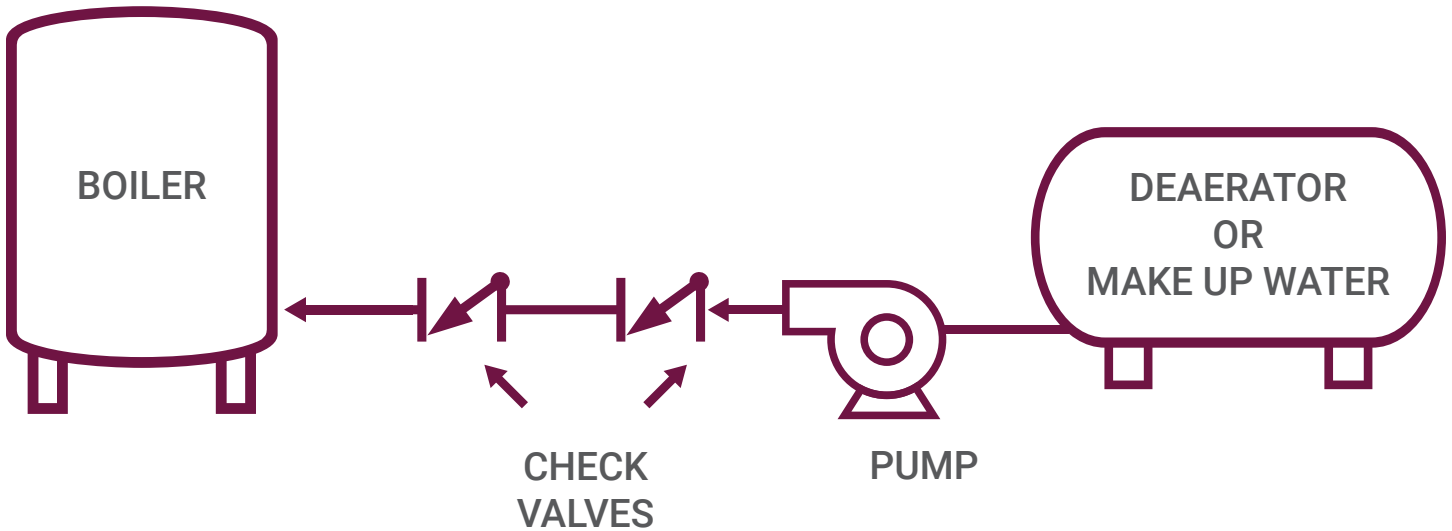
To protect incoming lines to the autoclave from backflow of acidic slurry when the autoclave is under pressure and incoming flow is shut off, a DFT® Model **WLC** In-Line Wafer Check Valves is recommended.

#### Upstream of the Oxygen Flow Transmitter and Flow Control Valve:

To protect the oxygen service lines from fire line water backflow, a DFT® Model **WLC** In-Line Wafer Check Valve is recommended.



## BOILER FEED SYSTEM



### SYSTEM:

All steam boilers have a need for intermittent water flow to replace the water generated into steam to feed the system.

### TYPICAL CHECK VALVE APPLICATIONS

Generally two check valves are located on the discharge side of the pump to prevent water and/or steam backup from the boiler through the pump to the water makeup tank or deaerator.

### TYPICAL CHECK VALVE RELATED PROBLEMS

Typically swing check valves are used in boiler feed lines. Swing checks cause problems based on their design. They have buildup problems due to lime in the water or improper use of the boiler compound. The clapper (disc) can hold full open due to the lime buildup around the hinge pin and clapper or buildup on the face of the clapper and seat. These problems allow return flow of water and/or steam through the check valves to the pump spinning it backwards, possibly causing damage or causing the makeup water tank to overflow.

## BOILER FEED SYSTEM (continued)

### DFT® SOLUTIONS

DFT® Non-slam Check Valves minimize these problems based on their design. The DFT® inline check valves tend to be self cleaning — the velocity of the water flowing across the face of the seat and disc have a tendency to wash off buildup plus the spring assist feature helps the valve to close. Also it appears that stainless steel does not seem to allow buildup to occur as quickly as bronze.

All plants with steam boilers have potential. Valve sizes range from 1/2" and 3/4" through 8" and 10" Class 600. Based on DFT®'s success with this application, we have secured other installations in the boiler room such as vacuum breakers on the deaerator, boiler discharge check valve and other applications in the plant.



## CHEMICAL APPLICATIONS

### CHEMICAL PROCESS

DFT® in-line check valves are used with various mediums including acetone, acids, air, ammonia, brine water, caustics, chlorine, DMA, dewatering, ethyl carbonates, ethylbenzene, ethylene, ethylene oxide, epoxy resins, hexane, hydrogen, hydrochloric acid, in block & out block gas, Kevlar® pre-mix, lethal service, methane, monochlorobenzene, naphtha, nitrogen, oxide vapor, oxygen, polyethylene, potable water, propylene, steam, sulfuric acid, toluene, etc.

### APPLICATIONS

- Air Lines
- Boiler Feed
- Chemical Additive Cylinders
- Chemical Process
- Compressor
- Condensate Pumps
- Cooling Towers
- Dryers
- Flare Lines
- Gas Purge Lines
- Gas Separation
- Heat Exchanger
- Heater Drains
- Loading/Unloading
- Nitrogen Blanket
- Pharmaceutical Intermediates
- Pump Discharge
- Refrigerants
- Steam Lines
- Thermal Oxidizer
- Utilities



## MINING APPLICATIONS

### UNDERGROUND APPLICATIONS

#### Mine Dewatering

DFT® in-line check valves are very popular on mine dewatering applications to prevent reverse flow and water hammer. The long life and tight shutoff make them a favorite as the costs of “change outs” is enormous and very unpopular with mine personnel.

#### Fuel Storage Tanks

DFT® in-line check valves are used on pump discharge because of their “positive” shutoff.

#### Air Equipment

- Jumbo drills
- Compressor discharge
- Booster Compressors - inlet and discharge

#### Other Underground

- Process water
- Potable water

### ABOVE GROUND APPLICATIONS

#### Extraction Process

##### **SX Plants** (Solvent Extraction)

DFT® in-line check valves are used at pump discharge on the aqueous leach & organic solutions.

##### **PLS PROCESS** (Pregnant Leach Solutions)

DFT® in-line check valves are used at pump discharge and steam applications.

#### Refining

All DFT® check valves are suitable for applications involving air, chemicals, cooling water and steam.

#### Other

- Acid plant
- Air dryer systems
- Condensate recovery
- Dilution pumps
- Instrumentation air
- Power plant
- Raw water pumps/waste treatment
- Stockpile process
- Transfer lines

## MINING - MINE DEWATERING SYSTEM

**SYSTEM:** During underground mining, there is usually a large amount of water that collects in the mine shafts. This water comes from underground springs that flow through the walls and from water that is pumped into the mine for operational use. All of this water needs to be removed.

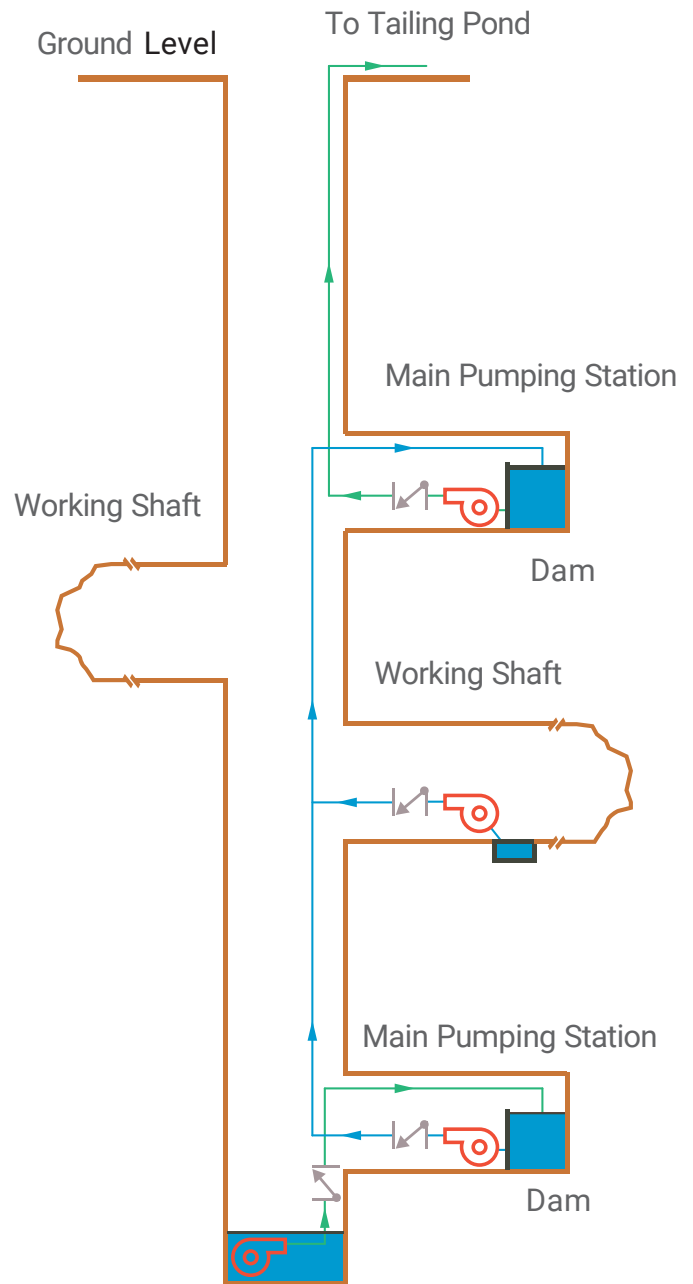
### TYPICAL CHECK VALVE APPLICATIONS

- 1. Pump Discharge:** Due to the very high static head, a check valve is required on the discharge of each pump. These check valves are used to prevent water hammer and to ensure that the lines do not drain back through the pump when it is not in operation.
- 2. Long Horizontal Pipe Runs:** As shown on the diagram on the next page, horizontal runs in a mine are seldom, if ever, installed at an optimum angle. The high points on the horizontal runs tend to collect entrained air in the water when the system is shut down. During start-up, this column separation can cause water hammer to occur as the two water columns impact together. Check valves are used to decrease the likelihood of large air pockets forming.

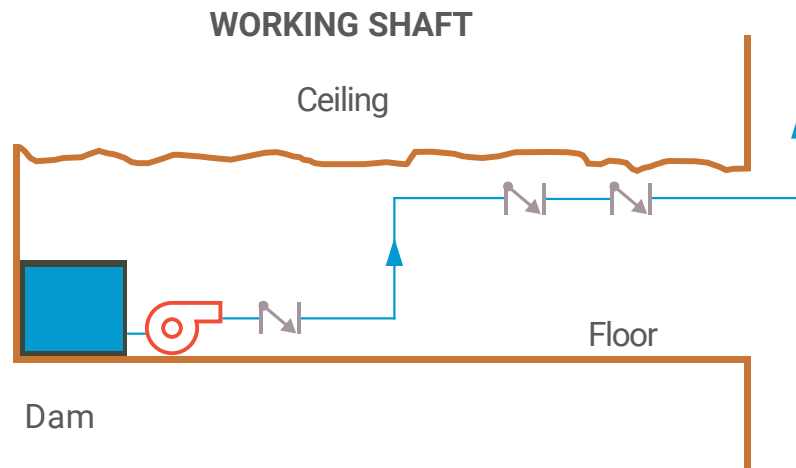
### TYPICAL CHECK VALVE RELATED PROBLEMS

**Water Hammer:** Water hammer is a very severe problem on pump discharge applications when swing checks and double door check valves are used. These types of valves have very slow closing characteristics. This slow closing, combined with the extremely high static head that is very often over 1,000 feet (432 psi), produces severe shock waves that can cause pipe deflection, pump damage, pipe ruptures and other high hazard situations.

### TYPICAL MINE



**Pump Reversal:** The check valves on pump discharge applications must seal very tightly so that the water column does not leak past the valve. Due to the tendency of the swing check and double door check valves to not seal properly, it is very common for significant leakage to occur. This leakage can cause the pump to spin backwards (impeller reversal) causing severe pump damage.



**Long Horizontal Pipe Runs:** If the check valves do not provide tight sealing, the entrained air that separates from the water during shut-down can leak past the check valve. This can cause significant air pockets to form. Since there is little or no back pressure on the swing checks, they will allow the air to bleed past the valve causing large air pockets to develop. Water hammer and its associated damage is then a very common problem during start-up.

## DFT® SOLUTIONS

**Pump Discharge:** DFT® Excalibur® Non-slam Check Valves installed on the pump discharge prevent backflow and eliminate the water hammer associated with it. The amount of static head does not impair the action of the valve. DFT® Excalibur units are often used on applications with static heads of over 2,000 feet. The spring assisted, in-line design of the Excalibur helps eliminate pump damage, extremely loud noises, pipe deflections, etc. caused by the water hammer.

**Pump Discharge:** Due to its very good seating characteristics, the DFT® Excalibur also prevents damaging leakage. The in-line design of the disc helps ensure that the water column does not bleed past the valve into the pump. This ensures that pump reversal and damage does not occur.

**Long Horizontal Pipe Runs:** By installing light weight DFT® WLC® check valves at proper intervals, column separation can be dramatically reduced. The tight closure of these units prevents bleed-back of the entrained air in the water. This eliminates the potential for water hammer during start-up.

## OIL & GAS APPLICATIONS

### Casing Gas Vents

### Compressors

- Reciprocating
- Rotary
- Turbine

### Fuel Storage Tanks

### Gas Metering

### Gas Scrubbers

### H<sub>2</sub>O Disposal

### Header Lines

- Gas/oil gathering

### Hot Bitumen

### Injection/Flood

- Chemical Injection
- CO<sub>2</sub> Injection
- Steam Injection
- Water Injection

### Producing Wells

### Pump Discharge

### Recirculation Pumps

### Salt Water Disposal (brine)

### Sour Gas

### Sour Water

### Steam Generators

### Surplus Water Pumps

### Water Treatment Plant





## NATURAL GAS RECIPROCATING COMPRESSORS

**SYSTEM:** An important component of the natural gas transportation system is the compressor station. The stations are used to compress natural gas as it travels throughout the pipeline system. It is this compression that allows the gas to continue to flow through the pipelines to its final destination for distribution.

### Typical Check Valve Application

Check valves are installed on the discharge side of reciprocating air or gas compressors to prevent backflow in the pipeline at compressor stations.

**PROBLEM:** Pulsating/high cycle application where piston type check valves are often installed at the reciprocating compressor discharge. The pulsating flow and high cycling can often cause excessive wear inside the valve, thus requiring the piston check valves to be repaired or replaced frequently.

### DFT Solution:

The DFT® Model PDC® Check Valve is a silent, non-slam check valve specially designed for use on the discharge side of reciprocating air or gas compressors. It includes a pulse-dampening chamber to maintain the disc in the open position during the momentary reductions in flow associated with each cycle of a reciprocating compressor and to protect against premature seat wear. The PDC® is available in 2" through 26" line size, in ASME Class 150 to 1500, and meets API 6D and ASME B16.10 face-to-face dimensions.

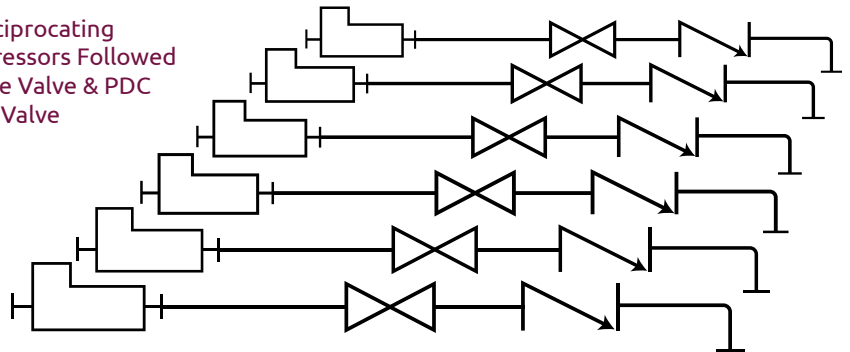
They can be installed either horizontally or vertically and are an ideal solution to replace failing piston check valves in air or gas applications.

Within the compressor house there are (6) 6" 900# gas lines coming out (15) feet with a gate valve and a 6" 900# PDC followed by (6) feet of pipe that turn into the ground, which connects into a 20" mainline underground.

The PDC's supplied for this customer's application provided 13 years of maintenance free service.

### Natural Gas Compressor Station

(6) Reciprocating Compressors Followed by Gate Valve & PDC Check Valve



*Above is design layout of (6) 6" 900# WCB/SS DFT® model PDC® Check Valves.*

## PETROLEUM STORAGE TANKS

**SYSTEM:** Floating Roof Tanks are used for storage of large quantities of petroleum products such as crude oil or condensate in various Refinery locations.

### Check Valve Application

Reverse flow prevention for Floating Roof Top Tanks

**PROBLEMS:** A large refinery had Floating Roof Top Tanks that consisted of an open-topped cylindrical steel shell equipped with a roof that floats on the surface of the stored liquid. The roof rises and falls with the liquid level in the tank.

A drain is installed to remove rain or any other water that needs to be exhausted from the top of the tank to prevent water damage and to relieve the weight associated with the large volume of water that can accumulate. Since the water is not pumped, and to keep the top of the tank dry, a very light cracking spring check valve was needed to prevent any reverse flow of the drainable water.

### DFT Solutions:

The DFT® Model WLC® Wafer Check Valves were installed to solve this problem. The compact face-to-face of the WLC, dual center guide to ensure longevity, along with having all 316 SS internals to combat corrosion, made the WLC was the ideal choice.

*Fuel Storage Floating Roof Top Tank*



## PULP & PAPER APPLICATIONS

### BOILER HOUSE

- Feed pumps
- Chemical
- Deaerator
- Condensate
- Black liquor guns/recovery

### DIGESTER SERVICE - SEVERE SERVICE

DFT® in-line check valves have been used for continuous and batch digesters. The special DFT Excalibur®, GLC® and WLC® Severe Service Digester check valves are manufactured with a modified trim package to withstand severe batch steam cook processes.

### OTHER

- Air dryer systems
- Chemical lines
- Chip-Pack steam lines – red liquor
- Dilution pumps (bleach room)
- Instrumentation air
- Raw water pumps/waste treatment
- Steam lines

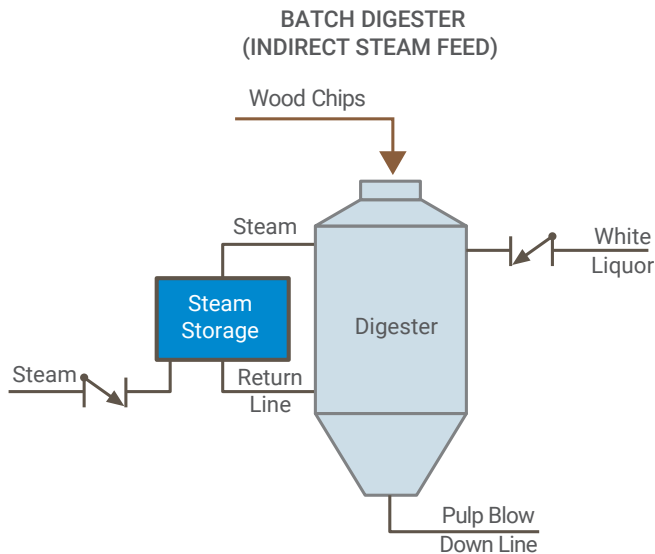
### WHITE WATER/ STEAM SPARGING LINES

DFT® WLC®'s are installed on the steam sparging lines coming off the main header into the white water (gray water) silo of the paper machine area.

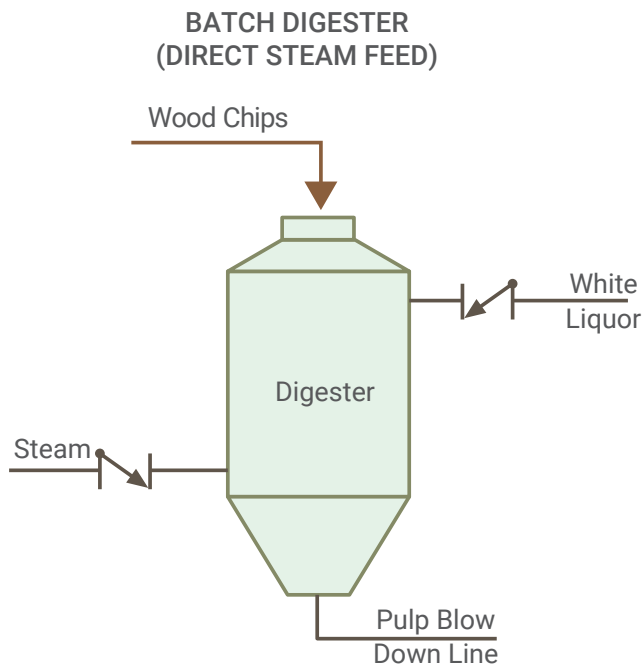
Two problems were encountered and solved by the WLC:

- Steam flow varies depending on the season from almost -0- flow in the summer to 80% of full flow capacity in the winter.
- The downstream valve is flanged directly to the silo resulting in constant exposure to the white effluent.

## PULP & PAPER - DIGESTER SERVICE

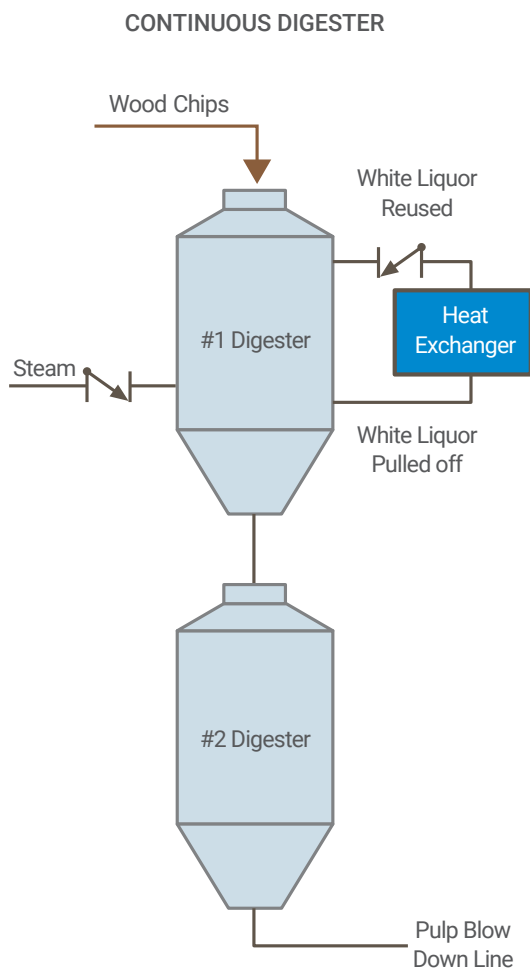


**SYSTEM:** A digester is a large piece of equipment that cooks wood chips and produces the raw pulp. Steam and White Liquor are added to the wood chips to produce the raw pulp. After they are reduced to pulp, the pulp is “blown” out of the digester. The digester is similar in operation to a large pressure cooker. Digesters range in size from 10-20 feet in diameter and 40-70 feet high. They usually operate at pressures up to 150 psi.



### TYPICAL CHECK VALVE APPLICATIONS

- 1. Steam Injection:** Steam is injected into the digester to cook the wood chips. A check valve is required on the steam line to ensure that chip, liquor and pulp do not backflow into the steam line both during cooking and during the blowing cycle.
- 2. White Liquor Injection:** A check valve is used on the white liquor line to ensure that the steam and pulp do not flow back into this line. It is also required for pump protection to ensure that the pump does not spin backwards and allow contaminated liquor into the white liquor line.



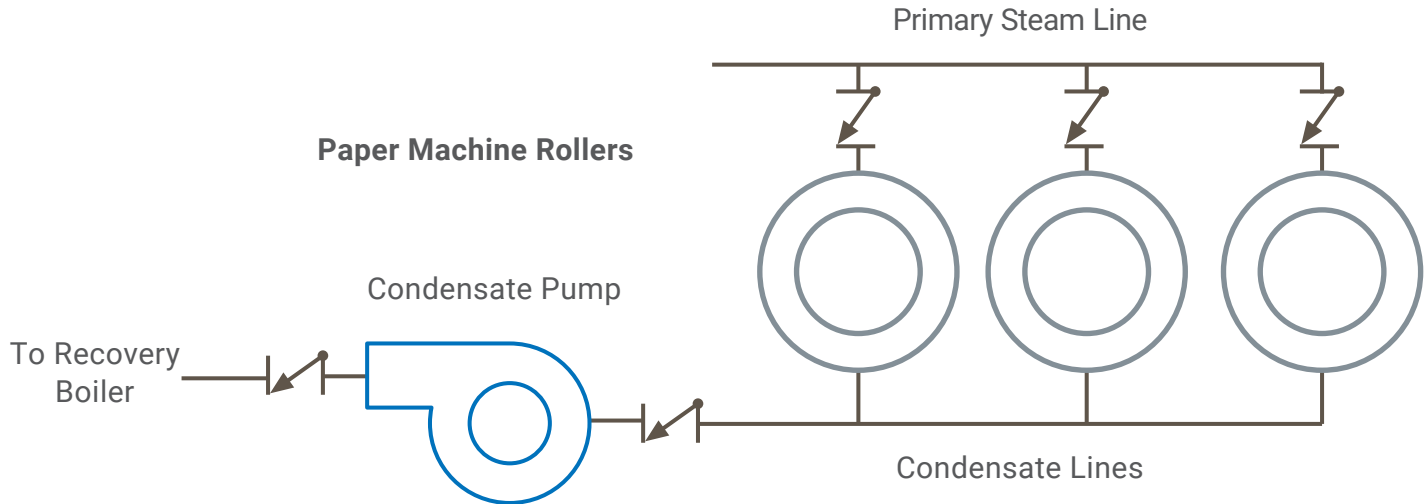
### TYPICAL CHECK VALVE RELATED PROBLEMS

- 1. Steam Injection:** In most digesters (particularly batch digesters), this is a very severe application. It is intermittent service causing the check valve to constantly open and close. Also, during the initial heating of the digester, large amounts of steam are injected. After the proper temperature is achieved, small amounts of steam are used to just maintain the temperature. This intermittent service with a wide range of flow conditions causes swing checks to fail very rapidly, usually within 2 to 4 months. Clappers break off, the clapper sticks in the open position or the valve allows leakage of pulp into the steam line.
- 2. White Liquor Injection:** This is also intermittent service for the check valve promoting rapid wear and failure. Swing check pivot pins are normally the primary wear point. Wear in this area causes excessive leakage with potential pump damage and liquor contamination due to backflow.

### DFT® SOLUTIONS

**Steam Injection:** DFT® Excalibur® and GLC® Non-slam Check Valves are designed to handle very severe service. The in-line, dual guided design eliminates the problem of the clapper breaking off of the arm. The DFT® Non-slam Check Valves can also be “sized” to ensure that the valve is fully open for the normal flow during the cooking cycle. This greatly increases the life of the check valve and eliminates the problem of chips and pulp entering and plugging the steam lines.

**White Liquor Injection:** The design of the Excalibur, WLC® and GLC valves dramatically reduces the damaging effects of intermittent service. The dual guided disc eliminates the problem of hinge pin wear and, therefore, leakage. The in-line, spring assisted feature of the design means that the disc has a shorter distance to travel during closure and it will not slam shut. Therefore, there is less likelihood of disc and seat damage due to the intermittent nature of the service.



**SYSTEM:** Pulp is passed through the fourdrinier machine to produce paper. After the fourdrinier, the paper moves to the paper machine roller. The roller is a series of steam-heated rollers that remove most of the remaining water from the paper. The paper moves over and under these rollers. These rollers are used to ensure that the paper finishes with the correct moisture content.

### TYPICAL CHECK VALVE APPLICATIONS

1. Steam Lines: Check valves are used on the steam lines into each cylinder to eliminate backflow into the steam lines and the boiler.
2. Condensate Recovery: Check valves are used on the discharge of the condensate pump to ensure that the pump does not turn backwards due to backflow and to eliminate flashing problems.

## PULP & PAPER - TYPICAL CHECK VALVE RELATED PROBLEMS

**Steam Lines:** Constant low volumes of steam are generally fed into the dryer cylinders. Since these volumes are usually not sufficient to keep swing checks and double door style check valves in the full open position, there is a tremendous amount of wear on the hinge pins from the constant movement. This wear on the hinge pin (and double door springs) leads to high leakage and eventual failure of the check valves.

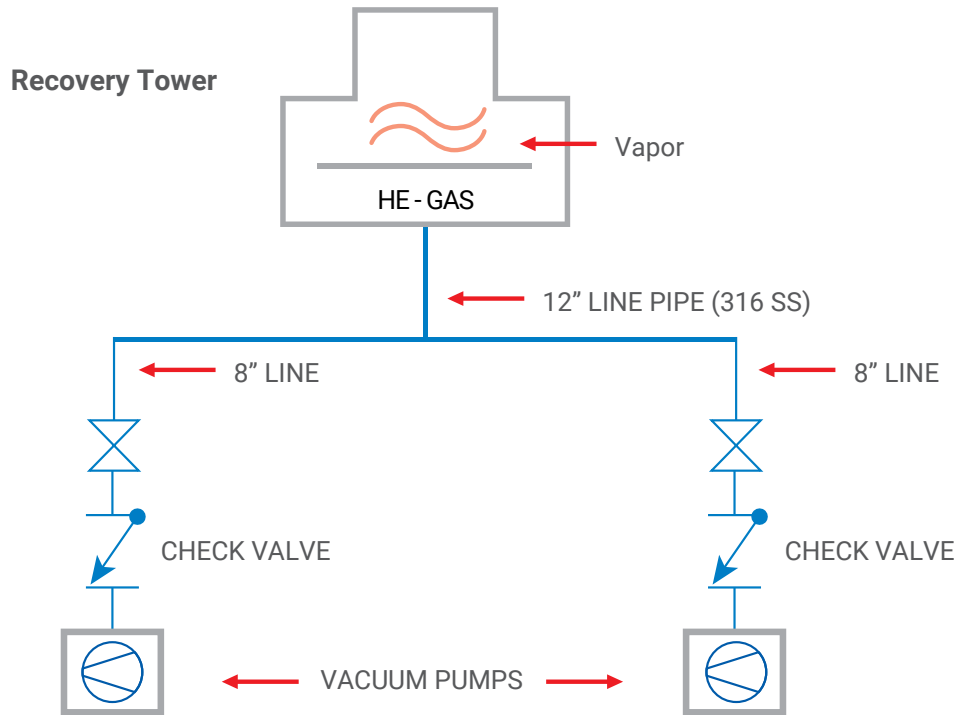
**Condensate Recovery:** The intermittent (on/off) action of the pump in combination with fairly high pressures causes the swing checks and double door style of check valves to be constantly slammed open and closed. This causes wear on the hinge pins (and springs) causing the valves to malfunction. This leads to pump damage and failure.

### DFT® SOLUTIONS

**Steam Lines:** DFT® Excalibur®, WLC® and GLC® check valves can be sized for the specific application. With the valves properly sized, the valves are maintained in a full open condition even with the fairly low steam flows. In combination with the in-line, spring assisted design, this ensures that premature wear will not occur and that the valves will have a long, dependable service life.

**Condensate Recovery:** Since all of the DFT® check valves are designed so that they are closed before flow reversal, valve slam (and water hammer) is virtually eliminated. Also, with the in-line design, the disc only has a very short distance to travel. Therefore, there is very little opportunity for valve damage during rapid opening cycles.

VAPOR RECOVERY SYSTEM



**SYSTEM:** Helium gas vapor recovery system by process of a vacuum suction. The object of the check valve is to prevent flow from being sucked by vacuum towards the recovery tower.

**TYPICAL CHECK VALVE APPLICATIONS**

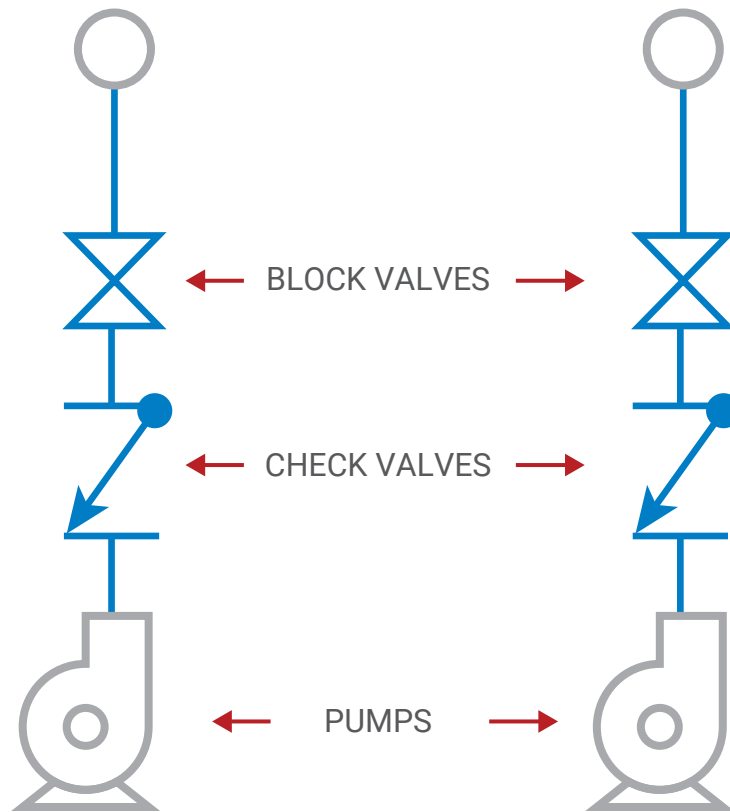
This application requires a low cracking pressure valve that doesn't slam closed. A normal swing check would not be suitable because of slow closing and slamming conditions. Also, the vertical flow could be difficult for this valve.

**DFT® SOLUTIONS**

DFT® Excalibur® Non-slam Check Valves installed with a mechanical stop in a vertical line with flow down position would be preferred due to the fact the flow and pressures are low, and in a horizontal position the lighter spring might not seal well. This is because of the friction of the disc/stem in the guides. On a vertical flow down, this friction is essentially eliminated plus the weight of the disc/stem reduces the cracking pressure without changing the spring.



## REMOTE CONDENSATE PUMPS



**SYSTEM:** A check valve is used for pump protection to ensure backflow doesn't damage the pumps.

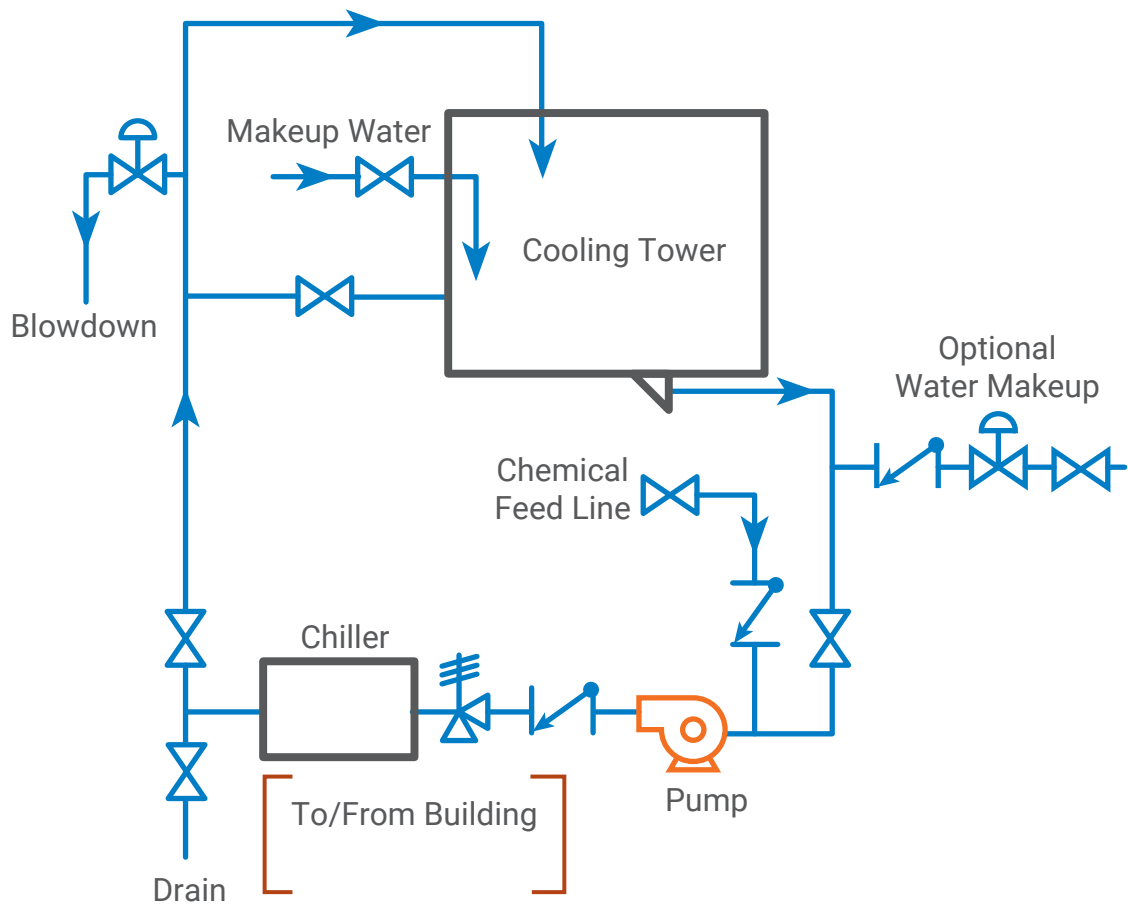
### TYPICAL CHECK VALVE RELATED PROBLEM

Water hammer and short check valve life. Double door check valves were failing after a few months of service. Water hammer was an ongoing problem. Check valve was installed on top of the pumps between the pump and a gate valve.

### DFT® SOLUTION

A DFT® Model WLC® In-Line Wafer Check Valve was installed in the vertical line approximately 12" above the pump. The in-line design of the WLC eliminated the water hammer problem.

## SINGLE CELL COOLING TOWER



**SYSTEM:** A typical single cell cooling tower installation provides chilled water to a building, plant or hospital. The basic components of the system are a circulating pump, a chiller and the cooling tower along with the associated valving, piping and control equipment.

### TYPICAL CHECK VALVE APPLICATIONS

1. Pump discharge. This valve is used for pump protection to ensure that backflow does not cause the pump impeller to reverse. Quite often, space limitations dictate this valve to be mounted in the vertical position with flow up.
2. Chemical feed. This valve is required to ensure that water in the system does not back up into and contaminate the chemicals used to treat the water.
3. Water makeup. Protection is required to ensure that the treated water in the system does not back up and contaminate the potable water supply.

### TYPICAL CHECK VALVE RELATED PROBLEMS

**Pump Discharge:** Water hammer is a very common problem in this type of system. This is particularly true in systems that use a swing check but it can also be evident when double door or externally weighted swing check is used. The water hammer can be evident with noise, vibration and/or equipment damage. Other problems generally associated with water hammer can be excessive pump maintenance due to flow reversal on the pump impeller and valve seat damage and clapper/door breakage due to low flow conditions.

**Chemical Feed:** The most common problems in this area are low flow conditions causing premature check valve wear and failure and sticking valves allowing water to backflow into the chemical reserve. This causes dilution/contamination of the chemicals and increases the possibility of a chemical spill.

**Water Make-up:** The intermittent nature of this service often causes rapid wear and failure on valve hinge and pivot pins. This wear also promotes seat leakage which can cause the control valve to operate erratically with the need for more frequent calibration.

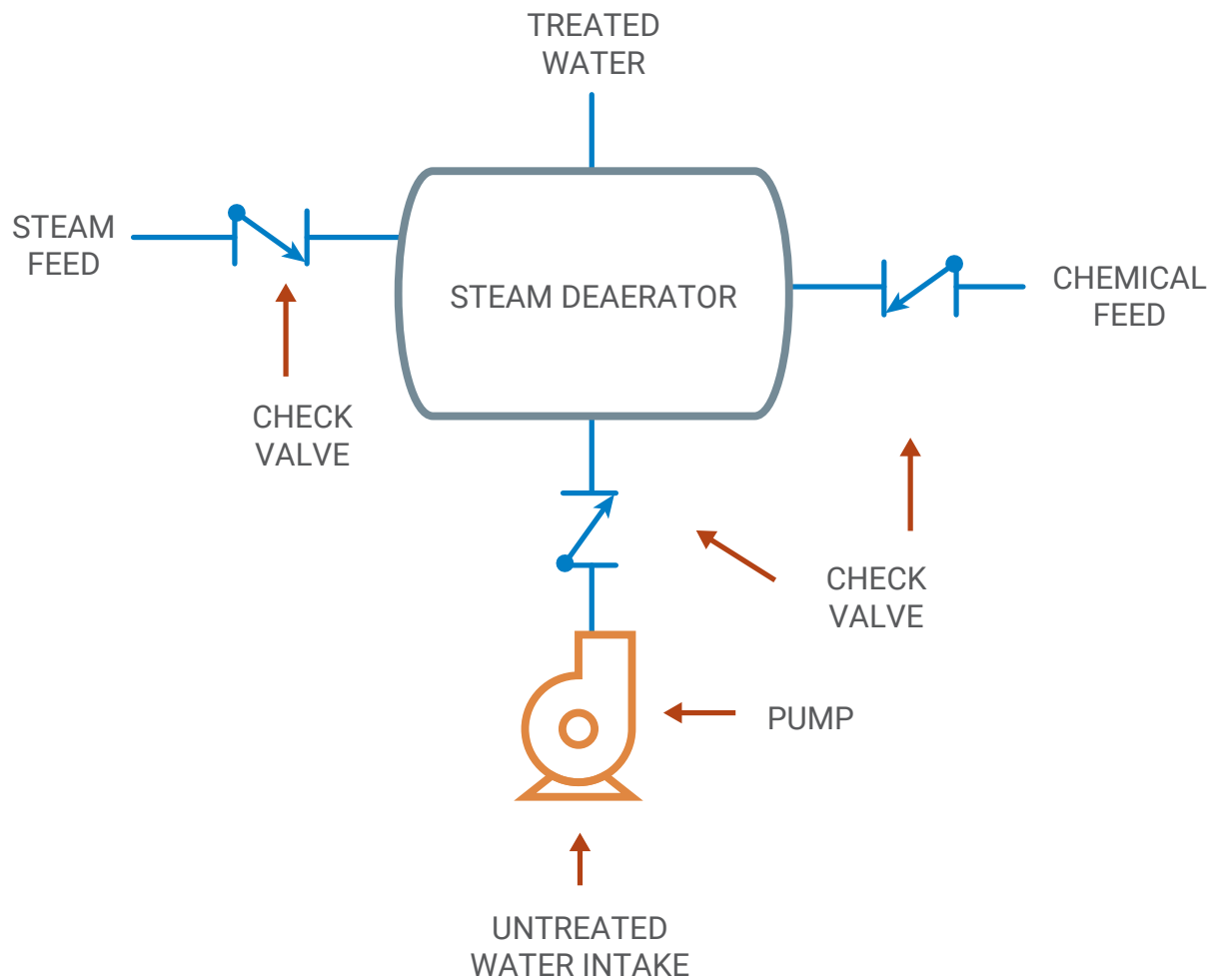
### DFT® SOLUTIONS

**Pump Discharge:** With the short travel and fast closure of the DFT® spring assisted Excalibur®, WLC® and GLC® check valve caused water hammer problems can be eliminated. This reduces maintenance costs and helps improve pump reliability. Valve reliability and life is greatly increased thus further decreasing maintenance costs.

**Chemical Feed:** The DFT® SCV® and Basic-Check® provide positive closure to ensure that no backflow of water will occur thus eliminating the problems of contaminated chemicals and environmental spills.

**Water Make-up:** The in-line, dual guided design of all of the DFT® Check Valves greatly reduce the damaging effects of intermittent service. This prolongs the life of the check valves. System efficiency is improved with better operation of the control valve.

## STEAM DEAERATOR SYSTEM



**SYSTEM:** Typically in a steam plant, water has oxygen removed before entering the boiler to prevent boiler corrosion. This is accomplished by adding chemicals and steam to the water.

### TYPICAL CHECK VALVE APPLICATIONS

1. **PUMP DISCHARGE:** Prevents backflow into the pumps to prevent impeller damage.
2. **CHEMICAL FEED:** Prevents mixture of chemicals with water.
3. **STEAM LINE:** Prevents water from flowing through the steam line.

### TYPICAL CHECK VALVE RELATED PROBLEMS

- **PUMP DISCHARGE:** Fluid hammer occurring on pump shutdown.
- **CHEMICAL FEED:** Ball checks become “balled up” and sticking, causing the pump to overwork and possibly blow seals.
- **STEAM LINE:** Normally low flow conditions exist resulting in valve chatter and premature valve failure.

### DFT® SOLUTIONS

- **PUMP DISCHARGE:** DFT® in-line check valves can be sized to prevent water hammer.
- **CHEMICAL FEED:** The flow area of DFT® in-line check valves will act to self clean and keep the discharge clean.
- **STEAM LINE:** Proper sizing of a DFT® in-line check valve will prevent chattering, thus prolonging the life of the check valve in this low flow condition as long as a pressure drop of 1 psi is maintained across the DFT® silent check valve

## STEEL APPLICATIONS

### BOF/BOP SERVICES

DFT® Excalibur® and GLC® in-line check valves are used in the quench system on pump discharge applications to prevent reverse flow and water hammer. The check valves are installed in vertical lines and handle a medium composed of water and scale.

### H. P. DESCALING WATER

DFT® Excalibur and GLC check valves are used in the hot strip and plate mills on pump discharge applications. The Excalibur and GLC prevent flow reversal and water hammer each time the pumps are shut down. The DFT® check valves are exposed to severe cycling each time a blast of water is used to remove scale from the steel.

### HYDRAULIC PRESSES

DFT® Excalibur and GLC in-line check valves are used on the pump discharge to prevent flow reversal and water hammer. DFT® check valves handle the high pressures and intermittent or continuous cycling as the water pushes the rolls together.

### OTHER APPLICATIONS

- Air Lines
- BOF/BOP Services
- Boiler Feed
- Breakdown Mill - Contact Water
- Bug Plant
- Caster Air Lines
- Coating Lines
- Coke Ovens
- Descaling
- High Pressure Descaling
- Hydraulic Presses
- Pickling Lines
- Reciprocating Pump Discharge
- Utilities
- Waste Water
- Water treatment

## About DFT®

DFT® Inc., formerly known as Durabla® Fluid Technology, manufactures world class, problem solving, inline, axial flow, nozzle style, silent check valves and severe service control valves. DFT® engineers design products using the latest CAD, FEA, and CFD design technology software. Our staff responds quickly and our systems are designed to deliver reliably within our ISO9001 quality management system.

For more than seventy-five years DFT® has solved check valve problems, prevented check valve failure and water hammer across all industries. We take pride in working closely with our customers to solve complicated problems. The results are valves that provide superior performance, long service life, and low maintenance costs. In addition, our customers enjoy confidence in product that is backed by a team of professionals ready to serve and support.

The DFT® silent check valves are known around the world as the valve to use to prevent or eliminate water hammer problems. Whatever your size, pressure or piping configurations, DFT® has the valve that's right for you.



### TO DISCUSS YOUR NEEDS

with one of our valve experts,  
reach out to your DFT® Inc  
representative today.



### GET INFORMATION

by checking out our resources,  
find what you need to start your  
next project



### CHECK IN WITH US

by visiting our blog and seeing  
what's new with DFT® Inc.

