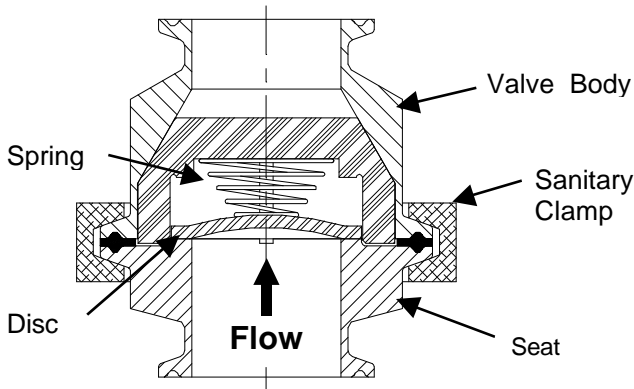
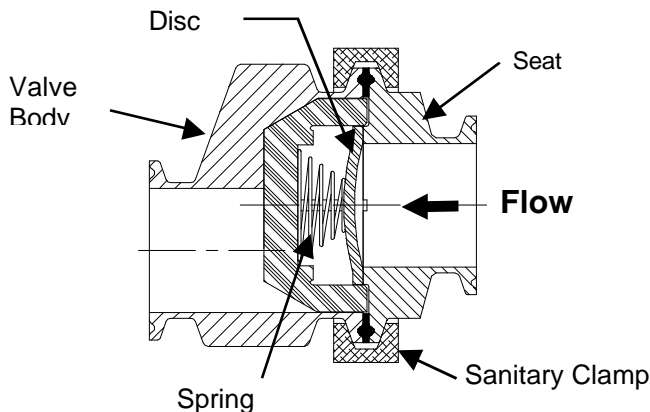


## DSV<sup>™</sup> SANITARY CHECK VALVE MAINTENANCE PROCEDURES



*Vertical Valve*



*Horizontal Valve*

### DIS-ASSEMBLY:

- 1) To access valve internals, loosen the wing nut of the sanitary clamp and remove the clamp from the center of the valve.
- 2) Carefully pull apart the valve body and seat. Note that once the seat has been removed from the valve body, the disc and spring are loose pieces.

- 3) Remove the gasket from the valve body (or seat) and inspect it carefully for signs of damage or wear. The disc, spring, and disc guide assembly may be removed from the valve body for inspection and cleaning.
- 4) Seating surfaces may be cleaned using a soft cloth and appropriate solvent. Avoid scratching the seating surface.

### RE-ASSEMBLY:

- 1) Place disc guide assembly in valve body. Orientation of the guide assembly legs is not critical. Place spring, large end first, onto guard spring hub.
- 2) Position the disc over the spring and between the four legs of the guide assembly. Be sure the valve disc is replaced with the "seat side" (marked on disc) against the valve seat.
- 3) Place the gasket into the groove in the valve body. Place the valve seat onto the valve body ensuring that the valve seat is centered up on the disc and that the gasket engages in the groove of both the valve body and the seat.
- 4) Reaching through the end of the valve seat, depress the disc a couple of times to check for free disc movement. Wrap the clamp around the valve making sure the valve body and seat are fully captured. Tighten the wing nut of the clamp to approximately 20 ft-lbs.
- 5) Re-install the valve in the line with the flow arrow on the body pointing in the direction of flow.