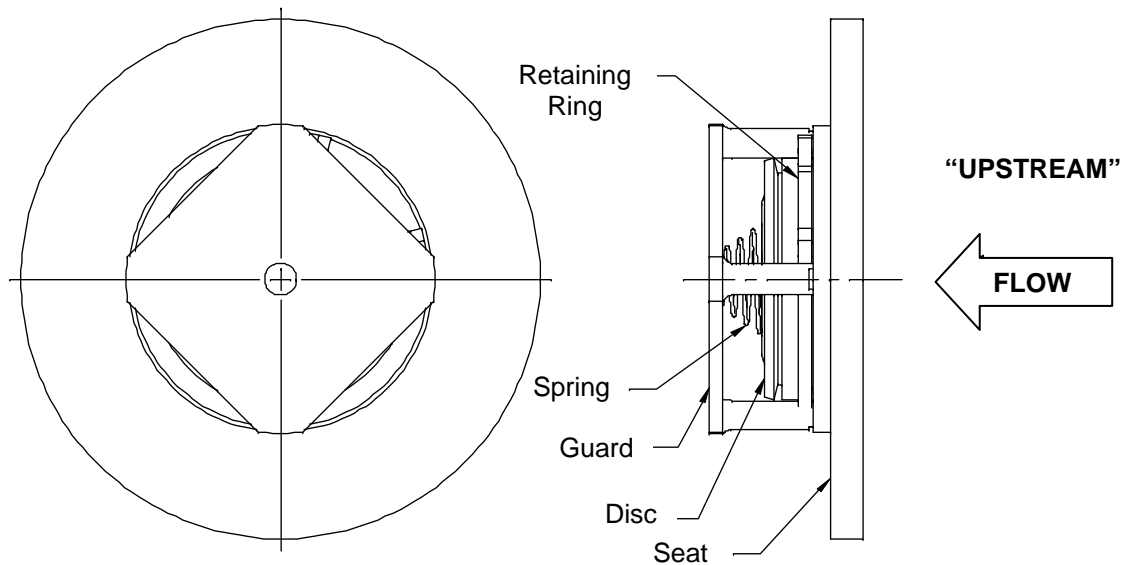


## ***Insert Wafer Check Valve***



The **FBC** is a compact, lightweight, *insert wafer check valve* that easily installs between two flanges. The *in-line, spring assisted* design prevents “*water hammer*” and “*reverse flow*”. The **FBC** contains all of the proven features of the Basic-Check<sup>®</sup> valve developed by DFT over 60 years ago. Like the Basic-Check, the metal-to-metal sealing area of the disc and seat is precision lapped providing tight shut-off for applications involving liquids, gases or steam. Resilient soft seats are available for applications requiring bubble-tight shut-off.

### **Features**

- Spring-assisted silent closing
- Horizontal or vertical installations
- Sizes 1” thru 4”
- ASME/ANSI Class 150 and 300
- Stainless steel seat, disc, guard, retaining ring & spring
- Cracking pressure: 0.6 to 0.15 psi
- Temperatures to 450° F
- Use in Schedule 40 pipe
- Meets ASME B16.34-2004 & MSS SP-126
- Flange Finish per MSS SP-6
- Seat Leakage per MSS SP-61
- Options
  - Soft seat
  - Inconel<sup>®</sup> X-750 spring

### **Applications**

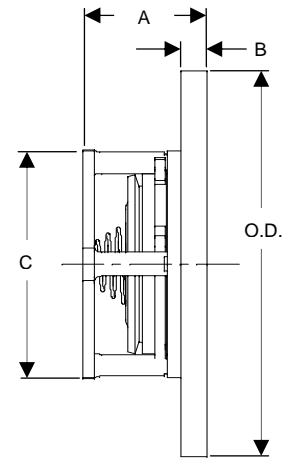
Liquids

Gases

Steam

# FBC™ Insert Wafer Check Valve

	1"	1-1/2"	2"	2-1/2"	3"	4"
<b>ASME CLASS</b>	<b>150/300</b>					<b>150</b>
<b>PRODUCT CODE</b>	8140	8142	8143	8144	8145	8146
A	0.868	1.099	1.216	1.306	1.473	2.105
B	0.250	0.250	0.250	0.250	0.313	0.375
C	1.029	1.563	1.940	2.400	2.970	3.700
O.D.	2.00	2.88	3.62	4.12	5.00	6.19
Weight	0.2	0.6	0.9	1.2	2.2	5.2
CV	5.8	13.2	23.1	36.0	57.4	90.0
CP (Cracking Pressure)	0.6	0.45	0.38	0.2	0.14	0.15



All dimensions are in inches. Weights are in pounds.

## MATERIALS OF CONSTRUCTION

Seat	A479 316	
Disc	1" to 3"	316 SS
	4"	17-7 SS
Guard	316 SS	
Spring	316 SS	
Retaining Ring	316 SS	

SOFT SEAT MATERIALS <sup>(1)</sup>					
MATERIALS	Buna-N	EPDM	TFE®-Viton®	Viton	Zelon
Temp. °F	-70 to 250°F	-75 to 300°F	-40 to 400°F	-40 to 400°F	37 to 400°F

(1) Buna-N and Viton are not suitable for steam service

Pressure Temperature Rating – 316 SS <sup>(2)</sup> (PSIG)		
	ASME/ANSI CLASS	
Temp. (°F)	150	300
100	275	720
200	235	620
250 <sup>(3)</sup>	225	590
300 <sup>(4)</sup>	215	560
400 <sup>(5)</sup>	195	515
450	180	495

Notes: (2) Pressure/temperature ratings in accordance with ASME/ANSI B16.34-2004

(3) Maximum temperature for Buna

(4) Maximum temperature for EPDM

(5) Maximum temperature for TFE-Viton, Viton and Zelon

ISO 9001:2000



Basic-Check and Zelon are registered trademarks of DFT Inc.

Inconel is a registered trademark of International Nickel Co.

Teflon & Viton are registered trademarks of E.I. DuPont Co.

## DFT<sup>®</sup> INC

140 Sheree Blvd.

P.O. Box 566

Exton, PA 19341-0566

Phone: **800-206-4013**

610-363-8903

Fax: 610-524-9242

Email: [dft@dft-valves.com](mailto:dft@dft-valves.com)

Internet: [www.dft-valves.com](http://www.dft-valves.com)

Represented by: