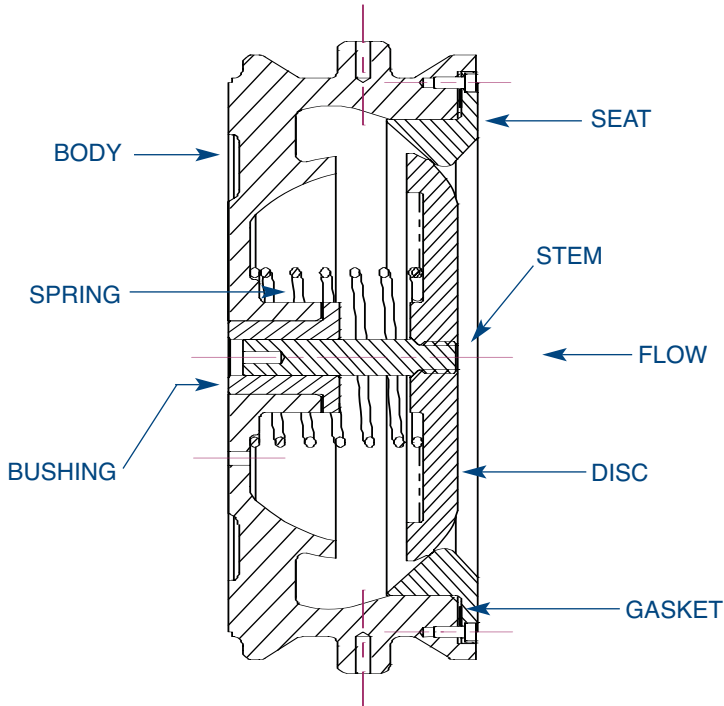


## Features:



- **API 594 Face-to-Face dimensions**
- Wafer RF ends
- Spring-assisted silent closing
- Horizontal or vertical installation
- Sizes 10" thru 24"
- ASME Class 150 and 300
- Standard body materials:
  - A216 WCB
  - A351 CF8M
- Stainless steel seat, disc & bushing
- Nitronic 60 stem
- Inconel® X-750 Spring
- 0.5 psi cracking pressure spring
- Seat Leakage per MSS SP-61
- Tapped holes in body for lifting lugs
- Options:
  - Body Materials:
    - Alloy 20
    - Hastelloy®
    - Others upon request
  - 316 SS spring
  - Custom sizing - low flow
  - Stellite trim
  - API 6D
  - NACE (See page 33)

The **ALC** is an in-line, spring assisted, center guided "**wafer**" check valve designed to prevent "**water hammer**" and "**reverse**" flow. The lightweight compact design fits between mating flanges and **meets API 594 Face-to-Face dimensions**. The ALC is an easy to maintain check valve for applications involving liquids, gases or steam. Tapped holes are provided in the body for lifting lugs to assist with installation.

Consult pages 34 and 35 for Pressure/Temperature ratings and soft seat materials.

# ALC™

## Class 150/300

	10"	12"
A	5-3/4	7-1/8
B (dia.)	14-1/8	16-1/2
Weight	115	200
Cv	1690	2525
CP	0.5	0.5

## Class 150

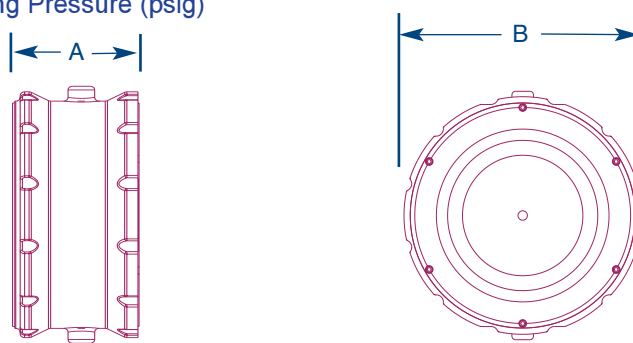
	14"	16"	18"	20"	24"
A	7-1/4	7-1/2		8-5/8	8-3/4
B (dia.)	17-5/8	20-5/16		23-3/4	28-5/16
Weight	225	315		545	745
Cv	3350	4450		4850	5125
CP	0.5	0.5		0.5	0.5

## Class 300

	14"	16"	18"	20"	24"
A	8-3/4	9-1/8		11-1/2	12-1/2
B (dia.)	19.00	20-5/16		25-5/8	30-3/8
Weight	320	425		760	1200
Cv	4560	4635		6870	7970
CP	0.5	0.5		0.5	0.5

All dimensions are in inches. Weights are in pounds.

CP: Cracking Pressure (psig)



## MATERIALS OF CONSTRUCTION

COMPONENT	CARBON STEEL BODY	STAINLESS STEEL BODY
Body <sup>(1)</sup>	A216 WCB	A351 CF8M
Disc/stem assy	316 SS/ Nitronic 60	316 SS/ Nitronic 60
Seat	316 SS	316 SS
Spring	Inconel® X-750	Inconel® X-750
Bushing	316 SS	316 SS
Gasketing	CFG <sup>(2)</sup>	CFG <sup>(2)</sup>

Notes: 1. Other Body materials available.

2. 316/Graphite material.